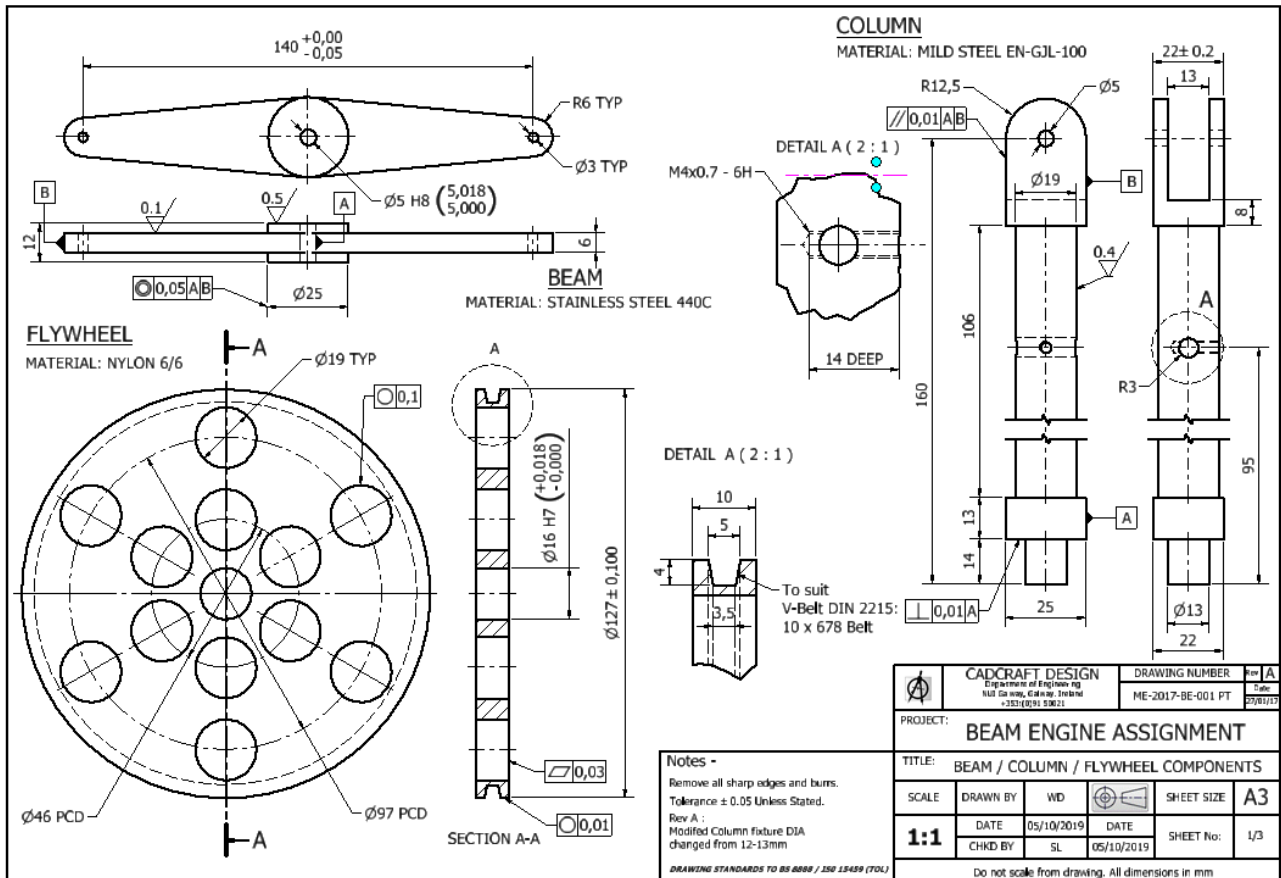




TUTORIAL 13



Model the 3 parts shown above.

Save the Beam as Tutorial 13 A.ipt

Save the Flywheel as Tutorial 13 B.ipt

Save the Column as Tutorial 13 C.ipt

You will be required to submit the 3 ipt files as part of your tutorial submission.

The parts will be used in Assignment 6